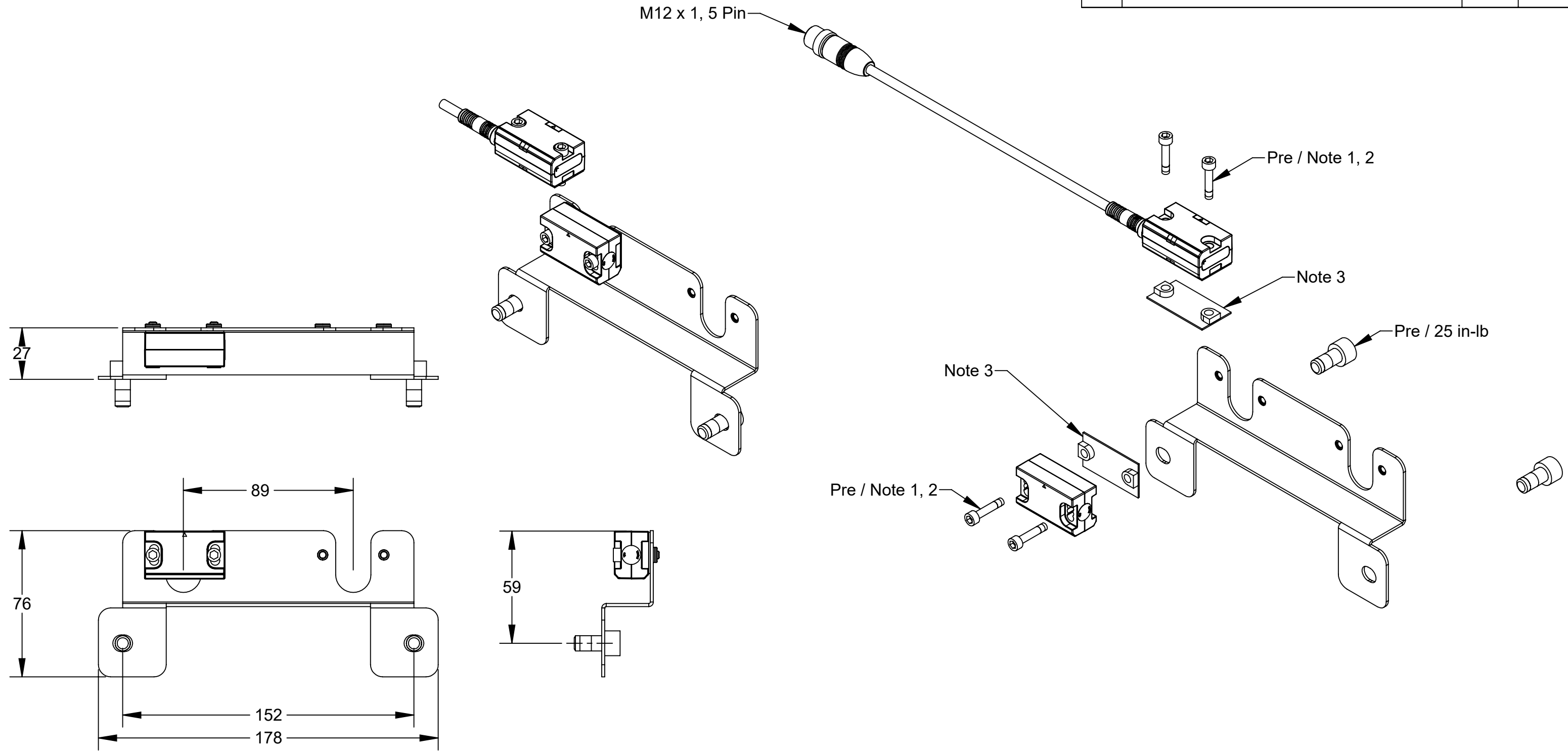



Rev.	Description	Initiator	Date
02	ECO 20590; Added Note 4	DS	1/24/2022



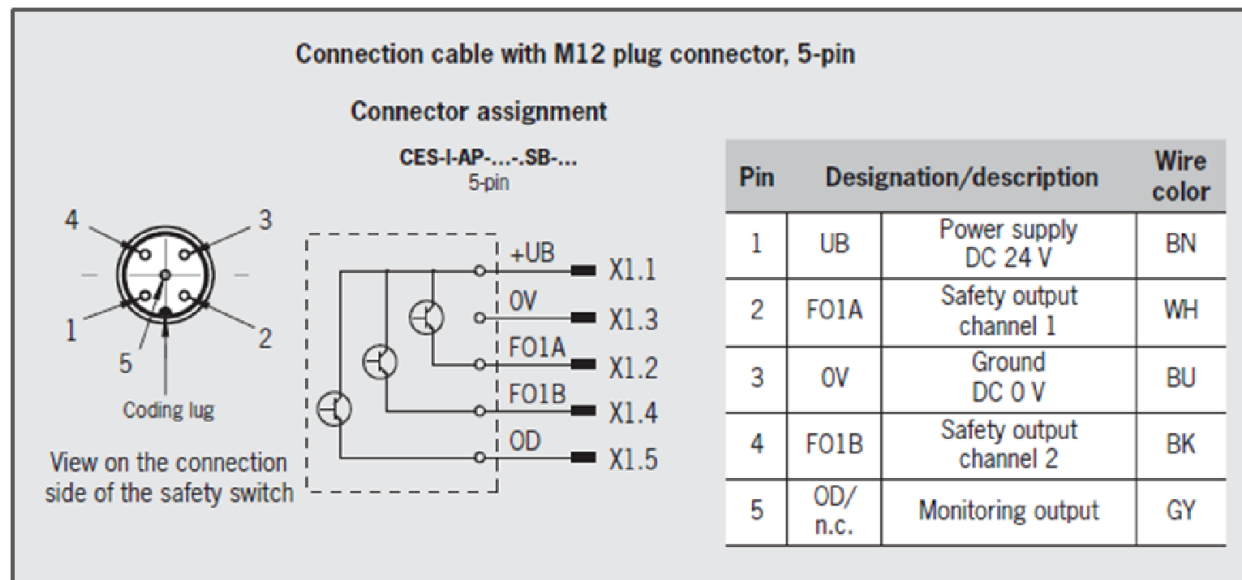
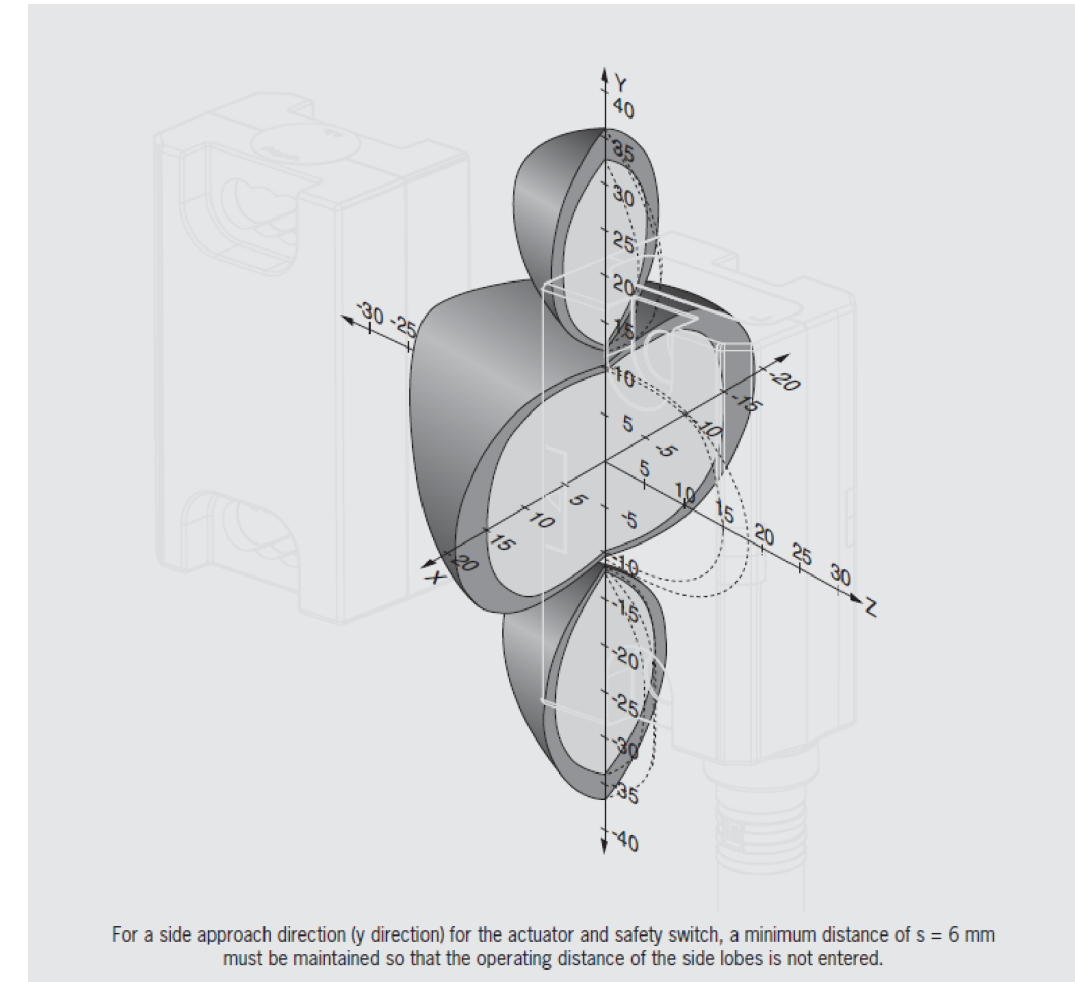
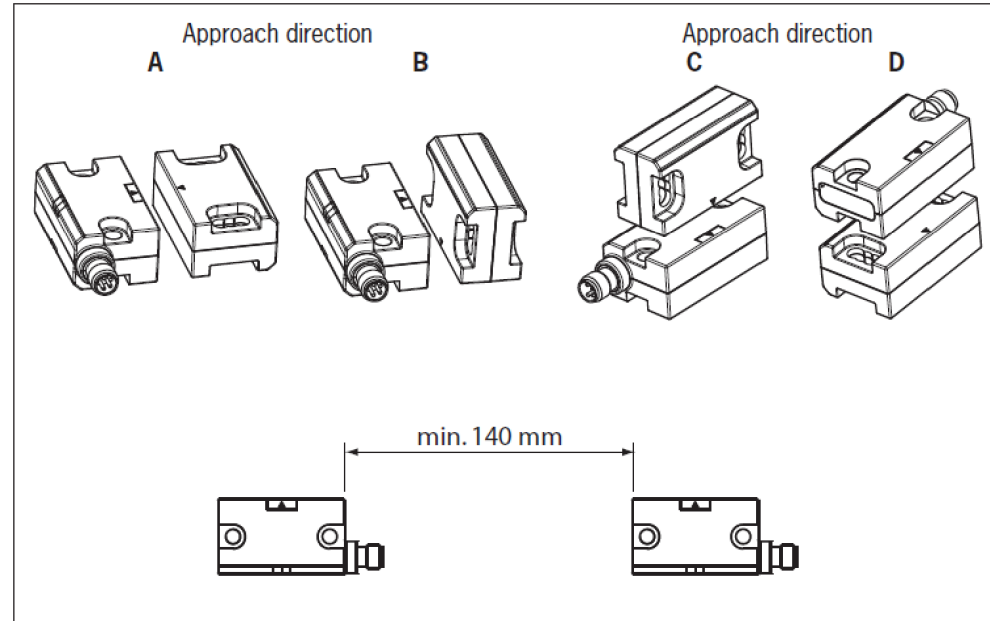
Switch not shown for clarity

Notes:

1. Switch, actuator and fasteners shipped loose. To be installed by customer.
2. Customer to install pre-applied fasteners and tighten SHCS to contact plus 1/4 turn. DO NOT OVERTIGHTEN.
3. Isolator pads included with switch and actuator.
4. Do not exceed a Dynamic bend radius of 10X cable diameter or a static bend radius of 5x.

ITEM NO.	QTY	PART NUMBER	DESCRIPTION
1	1	9120-TSL-SS-9015	TSL Non-Contact TSI Switch Assembly – Actuator and Switch
NOTES: UNLESS OTHERWISE SPECIFIED.		 <p>1031 Goodworth Drive, Apex, NC 27539, USA Tel: +1.919.772.0115 Email: info@ati-ia.com Fax: +1.919.772.8259 www.ati-ia.com ISO 9001 Registered Company</p> <p>PROPERTY OF ATI INDUSTRIAL AUTOMATION, INC. NOT TO BE REPRODUCED IN ANY MANNER EXCEPT ON ORDER OR WITH PRIOR WRITTEN AUTHORIZATION OF ATI.</p>	
DO NOT SCALE DRAWING. ALL DIMENSIONS ARE IN MILLIMETERS.			
DRAWN BY: J. Winterroth, 9/25/15		TITLE	
CHECKED BY: D. Norton, 9/29/15		TSL Non-Contact TSI Switch Assembly - Actuator and Switch	
PROJECT # 141006-2 SHEET 1 OF 2		SCALE	REVISION
3rd ANGLE PROJECTION		1:2	02
		SIZE	DRAWING NUMBER
		B	9630-20-TSL-SS-9015

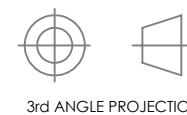
Approach directions and minimum distance CES-I-AP-.-C04



In combination with actuator CES-A-BBN-C04-115271...	Approach directions A and B (see page 111)			
Operating distance for center offset $m = 0$				
- Switch-on distance	-	15	-	mm
- Assured switch-on distance s_{so}	10	-	-	
- Switching hysteresis ²⁾	1	2	-	
- Assured switch-off distance s_{sr}			40	
			60	
In combination with actuator CES-A-BBN-C04-115271...	Approach directions C and D (see page 111)			
Operating distance for center offset $m = 0$				
- Switch-on distance	-	11	-	mm
- Assured switch-on distance s_{so}	6	-	-	
- Switching hysteresis ²⁾	1	2	-	
- Assured switch-off distance s_{sr}			40	
			60	

NOTES: UNLESS OTHERWISE SPECIFIED.

DO NOT SCALE DRAWING. ALL DIMENSIONS ARE IN MILLIMETERS.



1031 Goodworth Drive, Apex, NC 27539, USA
 Tel: +1.919.772.0115 Email: info@ati-ia.com
 Fax: +1.919.772.8259 www.ati-ia.com
 ISO 9001 Registered Company

PROPERTY OF ATI INDUSTRIAL AUTOMATION, INC. NOT TO BE REPRODUCED IN ANY MANNER EXCEPT ON ORDER OR WITH PRIOR WRITTEN AUTHORIZATION OF ATI.

DRAWN BY: J. Winterroth, 9/25/15		TITLE	
CHECKED BY: D. Norton, 9/29/15		TSL Non-Contact TSI Switch Assembly - Actuator and Switch	
PROJECT # 141006-2	SHEET 2 OF 2	SCALE 1:2	SIZE B
		DRAWING NUMBER 9630-20-TSL-SS-9015	REVISION 02